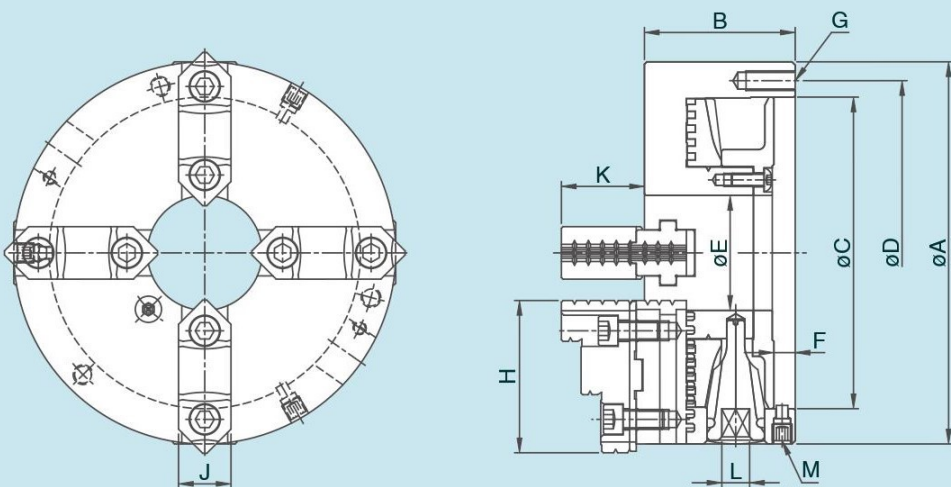


FKT 4-JAW POWERFUL TYPE ADJUSTMENT STEEL BODY CHUCKS

可調式強力型四爪鋼殼夾頭

尺寸圖 » Dimensions



規格表 » Specifications

單位/UNIT:mm

型式/規格 MODEL /SPEC.	A	B	C	D	E	F	G	H	J	K	L	M	最高迴轉速 Max.Speed r.p.m.(min ⁻¹)	把握範圍 Max. Gripping Diameter		淨重 Weight (kg)
														外徑把握 O.D.Clamping	內徑把握 I.D.Clamping	
FKT-07	193	85	155	172	58	12	3-M10x1.5P	82	28	43	11	3-M12x1.75P	3500	$\phi 8 \sim \phi 180$	$\phi 62 \sim \phi 170$	14.1
FKT-09	233	92	190	210	70	12.5	3-M12x1.75P	93	32	51	12	3-M12x1.75P	2900	$\phi 11 \sim \phi 220$	$\phi 70 \sim \phi 210$	22
FKT-10	275	98	230	250	89	12.5	3-M12x1.75P	102	35	54	12	3-M12x1.75P	2500	$\phi 12 \sim \phi 260$	$\phi 80 \sim \phi 250$	33.5
FKT-12	310	111	260	285	105	14	3-M12x1.75P	118	40	58	14	3-M12x1.75P	2200	$\phi 15 \sim \phi 300$	$\phi 90 \sim \phi 290$	46.1