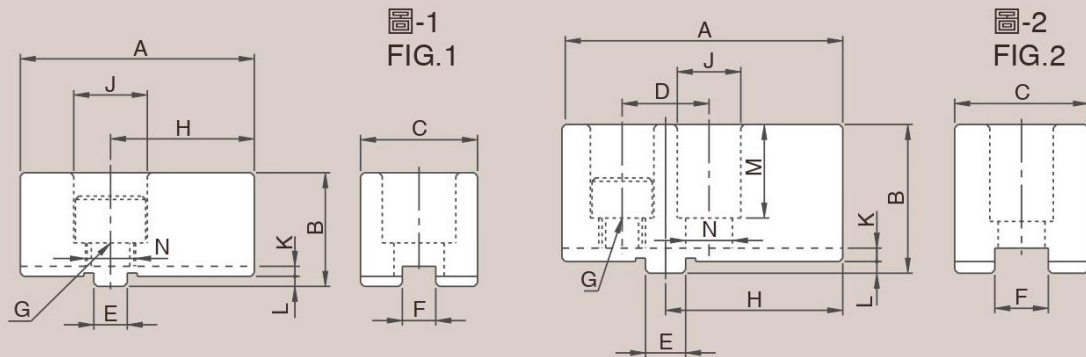


# SOFT JAWS FOR PULL BACK POWER CHUCKS

## 後拉式夾頭專用生爪

### 尺寸圖 » Dimensions



### 規格表 » Specifications

單位/UNIT:mm

型式/規格 MODEL /SPEC.	A	B	C	D	E	F	G	H	J	K	L	M	N	參考圖 Reference Drawing
S-06	70	34	35	--	10	10	M14x2P	43	23	3.0	3.0	21	15.5	圖-1 fig.1
S-08	84	44.5	40	26	12	16	M12x1.75P	53	20	3.5	3.5	29	13.5	圖-2 fig.2
S-10	100	49.5	50	32	15	18	M14x2P	62	23	3.5	3.5	32	15.5	圖-2 fig.2
S-12	120	54.5	60	36	17	20	M16x2P	78	26	3.5	3.5	36	17.5	圖-2 fig.2