



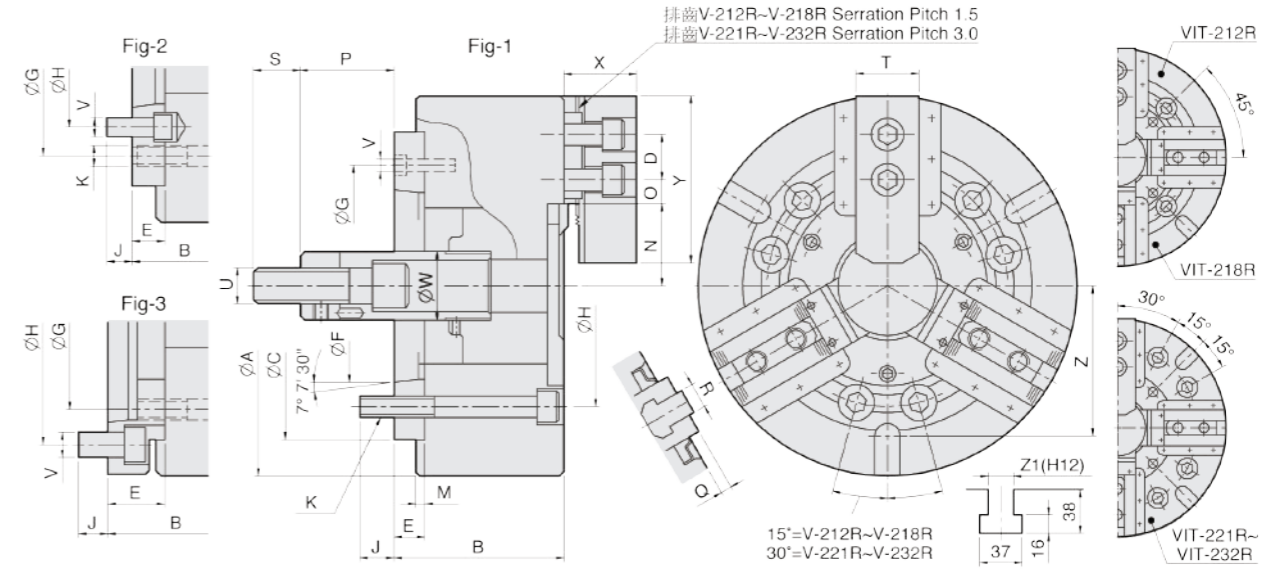
產品示意圖

# VRA

## 立車用中實油壓夾頭

Non through-hole power chuck for vertical lathe (adapter included)

- 1. 夾頭正面滑道處加裝防護裝置。
- 2. 適用於立式車床使用。



單位：mm

型式規格	爪數	拉桿行程 (mm)	爪行程直徑 (mm)	最大容許拉力 (kgf)	最大夾持力 (kgf)	最大使用油壓力 (kgf/cm <sup>2</sup> )	最高轉速 (r.p.m.)	重量 (kg)	慣性矩 I (kg·m <sup>2</sup> )	適合油壓缸	適合硬爪	適合生爪	外徑夾持範圍 (mm)
V-212RA6	3	30	16	5302	14276	35.7	3000	67.7	0.774	MS150C	HJ12-1	HC12-1	Ø32-Ø304
V-212RA8	3	30	16	5302	14276	35.7	3000	65.6	0.764	MS150C	HJ12-1	HC12-1	Ø32-Ø304
V-212RA11	3	30	16	5302	14276	35.7	3000	74.1	0.902	MS150C	HJ12-1	HC12-1	Ø32-Ø304
V-215RA8	3	35	18.7	9585	25798	35.7	2800	120.4	2.146	MS200C	HJ15-1	HC15-1	Ø68-Ø381
V-215RA11	3	35	18.7	9585	25798	35.7	2800	113.4	2.016	MS200C	HJ15-1	HC15-1	Ø68-Ø381
V-215RA15	3	35	18.7	9585	25798	35.7	2800	133	2.572	MS200C	HJ15-1	HC15-1	Ø68-Ø381
V-218RA8	3	35	18.7	9585	25798	35.7	2300	144.5	3.507	MS200C	HJ15-1	HC15-1	Ø78-Ø450
V-218RA11	3	35	18.7	9585	25798	35.7	2300	137.5	3.43	MS200C	HJ15-1	HC15-1	Ø78-Ø450
V-218RA15	3	35	18.7	9585	25798	35.7	2300	157.5	3.945	MS200C	HJ15-1	HC15-1	Ø78-Ø450
V-221RA8	3	35	16	9075	28450	33.7	1940	198	6.46	MS200C	HJ24-1	HC24-1	Ø65-Ø530
V-221RA11	3	35	16	9075	28450	33.7	1940	190	6.35	MS200C	HJ24-1	HC24-1	Ø65-Ø530
V-221RA15	3	35	16	9075	28450	33.7	1940	184	6.28	MS200C	HJ24-1	HC24-1	Ø65-Ø530
V-224RA8	3	35	16	9075	28450	33.7	1760	240	10.54	MS200C	HJ24-1	HC24-1	Ø152-Ø610
V-224RA11	3	35	16	9075	28450	33.7	1760	233	10.44	MS200C	HJ24-1	HC24-1	Ø152-Ø610
V-224RA15	3	35	16	9075	28450	33.7	1760	227	10.36	MS200C	HJ24-1	HC24-1	Ø152-Ø610
V-232RA11(41)	3	35	18.7	9585	25798	35.7	1060	399	31.6	MS200C	HJ24-1	HC32-1	Ø100-Ø810
V-232RA15	3	35	18.7	9585	25798	35.7	1060	383	30.82	MS200C	HJ24-1	HC32-1	Ø100-Ø810
V-232RA20	3	35	18.7	9585	25798	35.7	1060	419	32.69	MS200C	HJ24-1	HC32-1	Ø100-Ø810
VIT-212RA8	4	30	16	5302	14276	35.7	2500	68	0.792	MS150C	HJ12-1	HC12-1	Ø45-Ø304
VIT-218RA11	4	35	18.7	9585	25798	35.7	2000	141.5	3.522	MS200C	HJ15-1	HC15-1	Ø78-Ø450
VIT-224RA11	4	35	18.7	9075	28450	33.7	1520	255	11.3	MS200C	HJ24-1	HC24-1	Ø152-Ø610
VIT-224RA15	4	35	18.7	9075	28450	33.7	1520	240	11.02	MS200C	HJ24-1	HC24-1	Ø152-Ø610
VIT-232RA11	4	35	18.7	9585	25798	35.7	920	414	32.68	MS200C	HJ24-1	HC32-1	Ø100-Ø810
VIT-232RA15	4	35	18.7	9585	25798	35.7	920	399	32.4	MS200C	HJ24-1	HC32-1	Ø100-Ø810

單位：mm

型式尺寸	A	B	C (H6)	D	E	F	G	H	J	K	M	N max.	O max.	O min.	P max.	Q min.	R	S	T	U	V	W	X	Y	Z	Z1	參考圖	
V-212RA6	304	125	220	30	25	106.375	171.45	133.35	18	6-M16	6	64	45.75	12.75	138	108	5.5	18	36	50	M20x2.5	6-M12	50	54.5	130	—	—	Fig2
V-212RA8	304	118	220	30	18	139.719	190	171.45	24	6-M16	6	64	45.75	12.75	145	115	5.5	18	36	50	M20x2.5	3-M8	50	54.5	130	—	—	Fig1
V-212RA11	304	150	220	30	50	196.869	171.45	235	28	6-M16	6	64	45.75	12.75	113	83	5.5	18	36	50	M20x2.5	6-M20	50	54.5	130	—	—	Fig3
V-215RA8	381	141	300	43	33	139.719	235	171.45	24	6-M20	6	78	49.75	24.25	71	36	5.5	25.5	55	62	M30x3.5	6-M16	60	66.5	165	—	—	Fig2
V-215RA11	381	130	300	43	22	196.869	260	235	32	6-M20	6	78	49.75	24.25	82	47	5.5	25.5	55	62	M30x3.5	3-M10	60	66.5	165	—	—	Fig1
V-215RA15	381	165	300	43	57	285.775	235	330.2	29	6-M20	6	78	49.75	24.25	47	12	5.5	25.5	55	62	M30x3.5	6-M24	60	66.5	165	—	—	Fig3
V-218RA8	450	141	300	43	33	139.719	235	171.45	24	6-M20	6	92	70.75	24.25	59	24	5.5	25.5	55	62	M30x3.5	6-M16	60	66.5	165	158	22	Fig2
V-218RA11	450	130	300	43	22	196.869	260	235	32	6-M20	6	92	70.75	24.25	70	35	5.5	25.5	55	62	M30x3.5	3-M10	60	66.5	165	158	22	Fig1
V-218RA15	450	165	300	43	57	285.775	235	330.2	29	6-M20	6	92	70.75	24.25	35	0	5.5	25.5	55	62	M30x3.5	6-M24	60	66.5	165	158	22	Fig3
V-221RA8	530	154	380	60	33	139.719	330.2	171.45	24	6-M24	6	87	93.5	27.5	64	29	9	25	55	64	M30x3.5	9-M16	60	77	180	155	22	Fig2
V-221RA11	530	148	380	60	27	196.869	330.2	235	30	6-M24	6	87	93.5	27.5	70	35	9	25	55	64	M30x3.5	6-M20	60	77	180	155	22	Fig2
V-221RA15	530	148	380	60	27	285.775	330.2	330.2	33	6-M24	6	87	93.5	27.5	70	35	9	25	55	64	M30x3.5	3-M12	60	77	180	155	22	Fig1
V-224RA8	610	154	380	60	33	139.719	330.2	171.45	24	6-M24	6	126.5	93.5	27.5	64	29	9	25	55	64	M30x3.5	9-M16	60	77	180	165.1	22	Fig2
V-224RA11	610	148	380	60	27	196.869	330.2	235	30	6-M24	6	126.5	93.5	27.5	70	35	9	25	55	64	M30x3.5	6-M20	60	77	180	165.1	22	Fig2
V-224RA15	610	148	380	60	27	285.775	330.2	330.2	33	6-M24	6	126.5	93.5	27.5	70	35	9	25	55	64	M30x3.5	3-M12	60	77	180	165.1	22	Fig1
V-232RA11(41)	810	170	380	80	41	196.869	330.2	235	30	6-M24	6	104.8	196.5	25.5	47	12	5	25	56	74	M30x3.5	6-M20	60	93	210	165.1	22	Fig2
V-232RA15	810	156	380	80	27	285.775	330.2	330.2	33	6-M24	6	104.8	196.5	25.5	47	12	5	25	55	74	M30x3.5	3-M12	60	93	210	165.1	22	Fig1
V-232RA20	810	187	520	80	58	412.775	330.2	463.6	35	6-M24	6	104.8	196.5	25.5	16	-19	5	25	55	74	M30x3.5	6-M24	60	93	210	165.1	22	Fig3
VIT-212RA8	304	118	220	30	18	139.719	190	171.45	24	4-M16	6	64	45.75	12.75	145	115	5.5	18	36	50	M20x2.5	4-M8	50	54.5	130	—	—	Fig1
VIT-218RA11	450	130	300	43	22	196.869	260	235	32	4-M20	6	92	70.75	24.25	70	35	5.5	25.5	55	62	M30x3.5	4-M10	60	66.5	165	158	22	Fig1
VIT-224RA11	610	162	380	60	41	196.869	330.2	235	30	8-M24	6	126.5	93.5	27.5	70	35	9	25	56	64	M30x3.5	6-M20	60	77	180	165.1	22	Fig2
VIT-224RA15	610	148	380	60	27	285.775	330.2	330.2	33	8-M24	6	126.5	93.5	27.5	70	35	9	25	55	64	M30x3.5	4-M12	60	77	180	165.1	22	Fig1
VIT-232RA11	810	170	380	80	41	196.869	330.2	235	30	8-M24	6	104.8	196.5	25.5	47	12	5	25	56	74	M30x3.5	6-M20	60	93	210	200	22	Fig2
VIT-232RA15	810	156	380	80	27	285.775	330.2	330.2	33	8-M24	6	104.8	196.5	25.5	47	12	5	25	55	74	M30x3.5	4-M12	60	93	210	200	22	Fig1